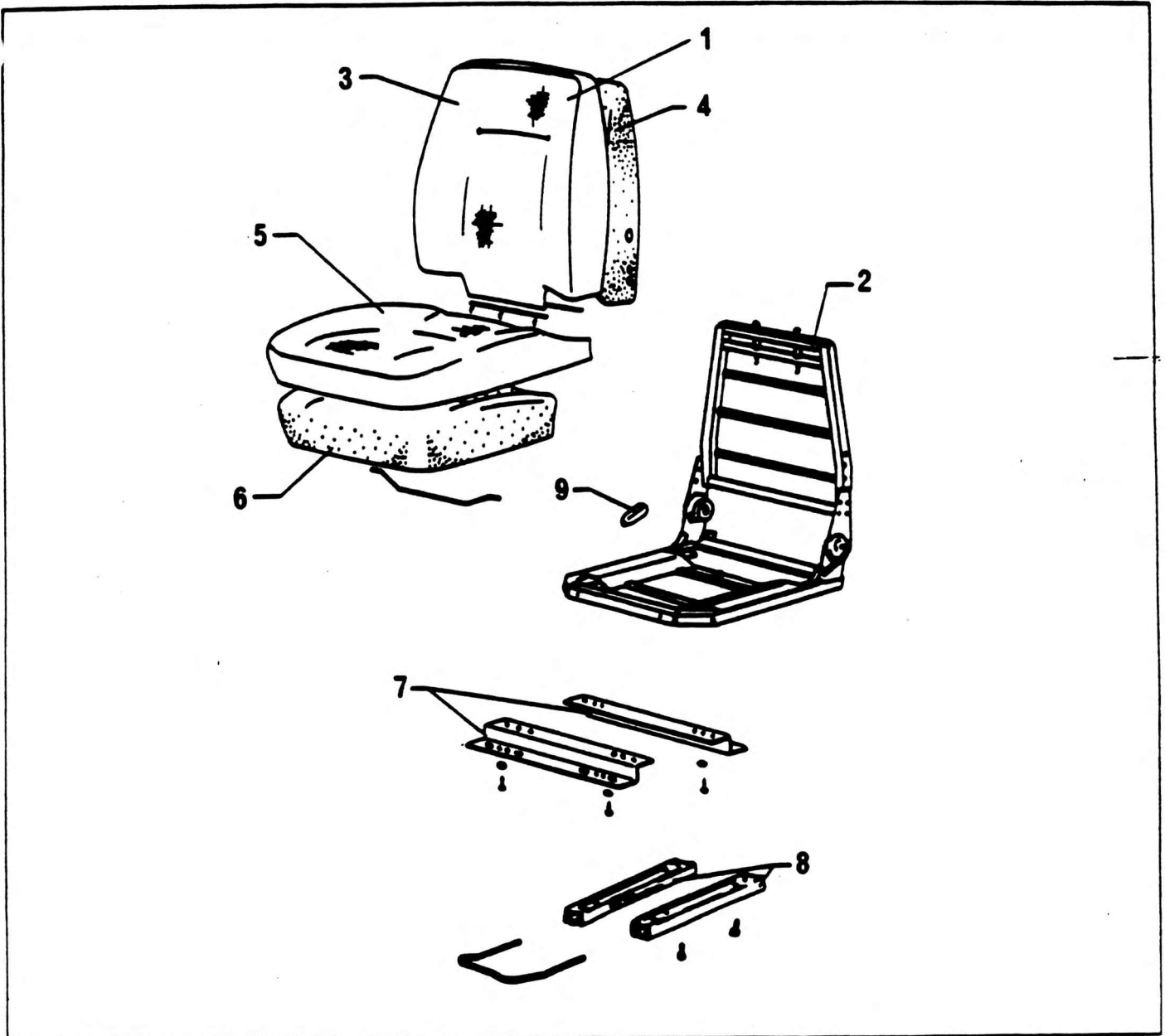


SEAT OPERATORS/MATES



NO.	PART NO.	QTY.	DESCRIPTION	NO.	PART NO.	QTY.	DESCRIPTION
-	7-798-990040	1	Complete Assembly				
1	9-798-100453	1	Upper Kit				
2	9-798-100412	1	Frame Assy Kit				
3	9-798-100454	1	Back Cover Assy Kit				
4	9-798-100414	1	Back Foam Kit				
5	9-798-100455	1	Seat Cover Assy Kit				
6	9-798-100416	1	Seat Foam Kit				
7	9-798-100456	1	Mounting Bracket Kit				
8	9-798-100457	1	Fore & Aft Adj. Kit				
9	9-798-100458	1	Handle				